



UNDERCOUNTER DISHWASHER 30 RACKS/H

Model: LDW60 230V

Article no: L16043

Power supply: 230V 1Ph ~50/60Hz

This dishwasher LDW60 is made of stainless steel 18/8 304 and is made for continuous operation. It is easy to use and simple to clean.

The dishwasher has an automatic filling, tank thermometer, pressure hose 3/4", drain hose and thermal protection for boiler and tank, rinse aid valve, D.V.G.W value.

MAIN FEATURES

- Door opening height 36 cm
- Double skin door
- Stainless steel wash and rinse system
- Stainless steel tank AISI/304 mm
- Waterproof IP 44 pump
- Standard break tank valve
- Standard boiler thermometer

LDW60 230V, L16043

15-01-24 (14:40)

Subject to change without notice
For correct installation, refer to the installation manual

TECHNICAL DATA

LDW60 230V, L16043, 15-01-24 (14:40)

Model Number Specific	LDW60 230V
Voltage (V)	230
Phase	1
Frequency (Hz)	50/60
Loading (kW)	3,6
IP Class	44
Capacity (racks/h)	30
Width, net (mm)	570
Depth, net (mm)	600
Height, net (mm)	830
Weight, net (kg)	55
Weight, gross (kg)	60
Volume, net (m3)	0,28
Volume, gross (m3)	0,37
Connection Cable, length (m)	1,5
Plug type	None
Certifications	CE
Cold water inlet, diameter (")	3/4
Cycle time (s)	120
Detergent pump incl.	Yes
Drain pump	Yes
Installation, type	Floor model
Noise level <(dB)	71,2
Other general information	Drain pipe L=1,6 m Ø =28 mm.
Water pressure, max (Bar)	5
Water pressure, min (Bar)	2

INCLUDED IN DELIVERY

1pc of glass rack, 1pc of plate rack and 1pc of cutlery rack.

Loipart AB (HQ), Sweden
Tel. +46 313 920 100, loipart@loipart.se

LMG Finland oy, Finland
+358 40 664 6680, lmg@lmg.fi



Loipart USA inc, USA
Tel. +1 954 530 5276, loipartusa@loipart.com

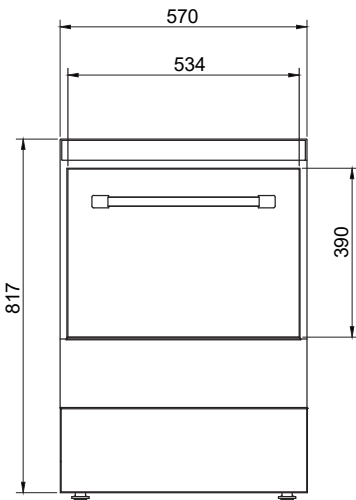
Loipart SEA Pte Ltd, Singapore
Tel. +65 674 99 100, contact@loipart.sg

Visit us at www.loipart.com

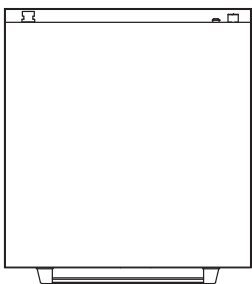
DIMENSIONS

Model: LDW50 Rev. 2
LDW60

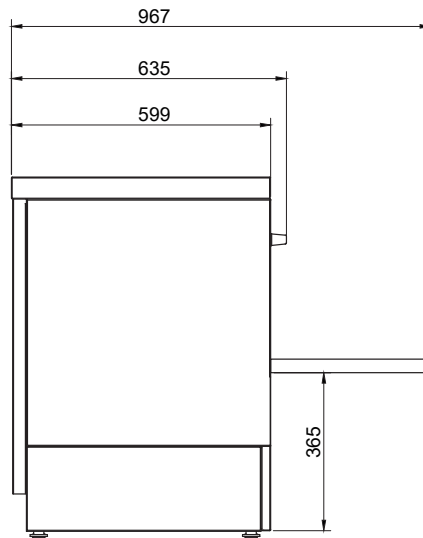
FRONT



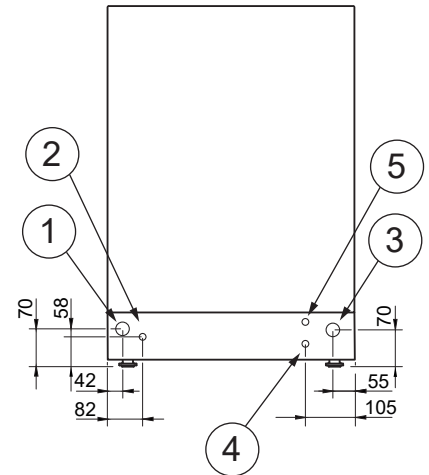
TOP



SIDE

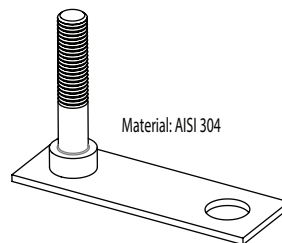
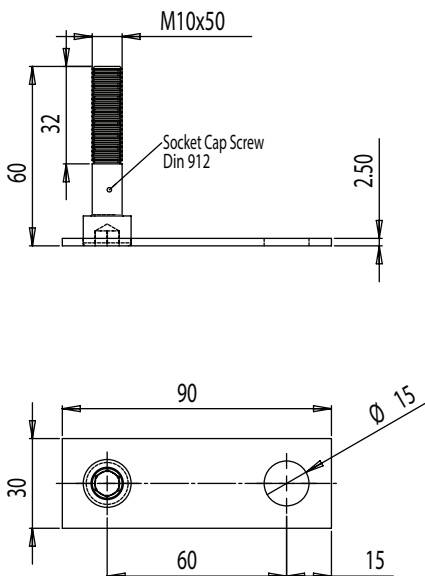


BACK



1. Drain pipe L=1,6 m \varnothing =28 mm for models with drain pump.
Drain pipe L=1 m \varnothing =25 mm for models w/o drain pump.
2. Electrical connection
3. Water inlet G3/4
4. Rinse aid flexible pipe pos.
5. Detergent flexible pipe pos.

DETAIL MARINE FOOT



BOTTOM

