



## HOOD TYPE DISHWASHER

Model: EHT8M

Article no: 505079

Power supply: 400V 3Ph ~50Hz

The model can operate either in High Productivity mode or in Sanitation mode and has three wash cycles - for lightly, normal or heavily soiled dishes. Built-in atmospheric boiler sized to raise incoming water to a minimum of 84 °C for sanitising rinse. Unique temperature interlock guarantees required temperatures in both the wash and final rinse. Built-in rinse aid dispenser with automatic initial and continuous cycle loading for the perfect result while minimising service and maintenance needs. Slanted wash arms to avoid detergent-filled wash water dripping on clean dishes after the rinsing phase, thus guaranteeing ideal washing results. The model has an automatic self-cleaning cycle and self-draining vertical wash pump and boiler to avoid bacteria proliferation.

### MAIN FEATURES

- For connection to hot water
- Drain pump
- Built-in rinse aid dispenser
- 80 baskets/hour capacity
- Single Skin Hood
- Low water and detergent consumption
- Electronic system control
- Built-in atmospheric boiler
- Automatic self-cleaning cycle
- Installation for straight or corner flow installation

EHT8M, 505079  
15-01-24 (15:19)

Subject to change without notice  
For correct installation, refer to the installation manual

<b>Model Number Specific</b>	EHT8M
<b>Voltage (V)</b>	400
<b>Phase</b>	3
<b>Frequency (Hz)</b>	50
<b>Loading (kW)</b>	9,9
<b>Max Amps in Phase (A)</b>	14,5
<b>IP Class</b>	X5
<b>Capacity (racks/h)</b>	80
<b>Width, net (mm)</b>	746
<b>Depth, net (mm)</b>	755
<b>Height, net (mm)</b>	1549
<b>Weight, net (kg)</b>	106
<b>Weight, gross (kg)</b>	118
<b>Volume, net (m3)</b>	1,57
<b>Volume, gross (m3)</b>	2,05
<b>Connection Cable, length (m)</b>	0
<b>Plug type</b>	None
<b>Atmospheric boiler</b>	Yes
<b>Certifications</b>	CE
<b>Cycle time (s)</b>	45
<b>Detergent pump incl.</b>	No
<b>Drain pipe, diameter (")</b>	3/4
<b>Drain pump</b>	Yes
<b>Electronic control</b>	Yes
<b>Hot water inlet temperature (°C)</b>	10-65
<b>Noise level &lt;(dB)</b>	63
<b>Rinse pump incl.</b>	Yes
<b>Rinse temperature (°C)</b>	84
<b>Temperature, max (°C)</b>	84
<b>USPH</b>	No
<b>Water consumption (L/cycle)</b>	2
<b>Water pressure, max (Bar)</b>	7
<b>Water pressure, min (Bar)</b>	0,5

INCLUDED IN DELIVERY

- 1 of Yellow cutlery container PNC 864242 • 1 of Basket for 18 dinner plates - yellow PNC 867002

Loipart AB (HQ), Sweden  
Tel. +46 313 920 100, loipart@loipart.se

LMG Finland oy, Finland  
+358 40 664 6680, lmg@lmg.fi

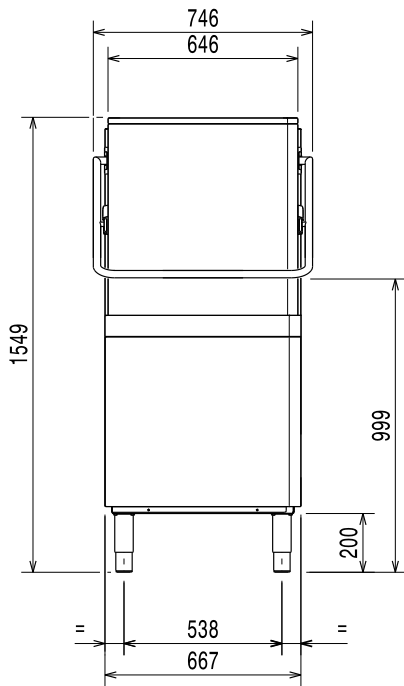


Loipart USA inc, USA  
Tel. +1 954 530 5276, loipartusa@loipart.com

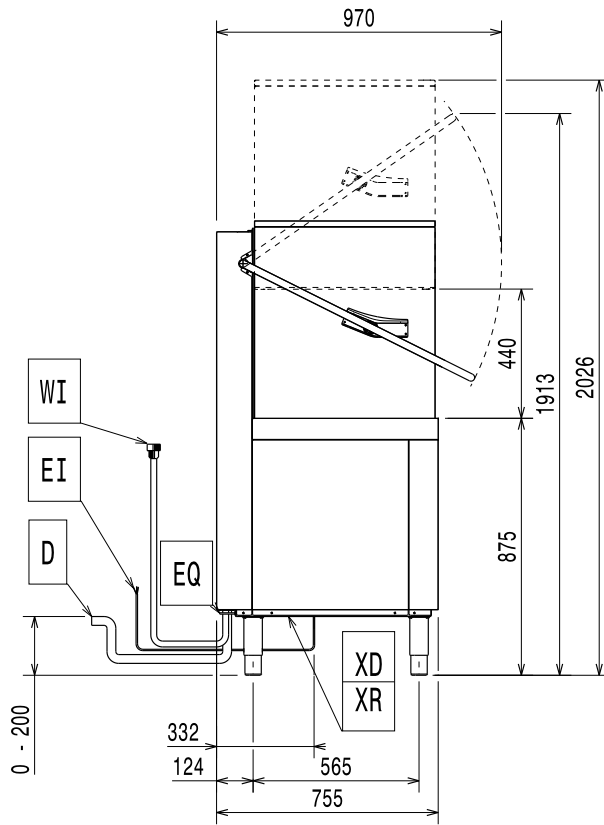
Loipart SEA Pte Ltd, Singapore  
Tel. +65 674 99 100, contact@loipart.sg

Visit us at www.loipart.com

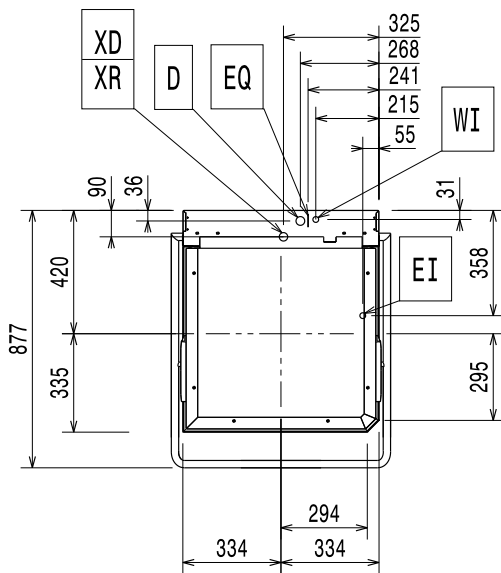
FRONT



SIDE



BOTTOM



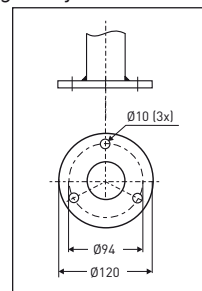
- A Control panel
- C Marine foot
- W Hot water connection G 3/4 , inlet hose 2100 mm.
- D Drain connection Ø 20.5, drain hose L=1.6 m
- EI Electrical connection
- XD Detergent connection
- XR Rinse aid connection
- EQ Equipotential screw (earth screw)

Control panel A

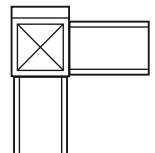


1. ON/OFF
2. tank temp. indicator light
3. water tap indicator light
4. boiler temp. indicator light
5. wash cycle 1
6. wash cycle 2
7. wash cycle 3
8. HP or ETL mode
9. drain
10. delime cycle
11. active/wash safe control

Detail of marine leg:  
(height adjustable +40-18 mm)



Corner feed



Straight feed

