



PRE-RINSE UNIT, RETRACTABLE HOSE 14 M

Model: 865460

Article no: L12027

Retractable pre-rinse unit with fixed
thermostatic water mixer, hose length 14000
mm.

865460, L12027
15-01-24 (16:07)

Subject to change without notice
For correct installation, refer to the installation manual

TECHNICAL DATA

865460, L12027, 15-01-24 (16:07)

Model Number Specific	865460
Width, net (mm)	172
Depth, net (mm)	819
Height, net (mm)	395
Weight, net (kg)	9
Weight, gross (kg)	10
Volume, net (m3)	0,25
Volume, gross (m3)	0,33

Loipart AB (HQ), **Sweden**
Tel. +46 313 920 100, loipart@loipart.se

LMG Finland oy, **Finland**
+358 40 664 6680, lmg@lmg.fi



Loipart USA inc, **USA**
Tel. +1 954 530 5276, loipartusa@loipart.com

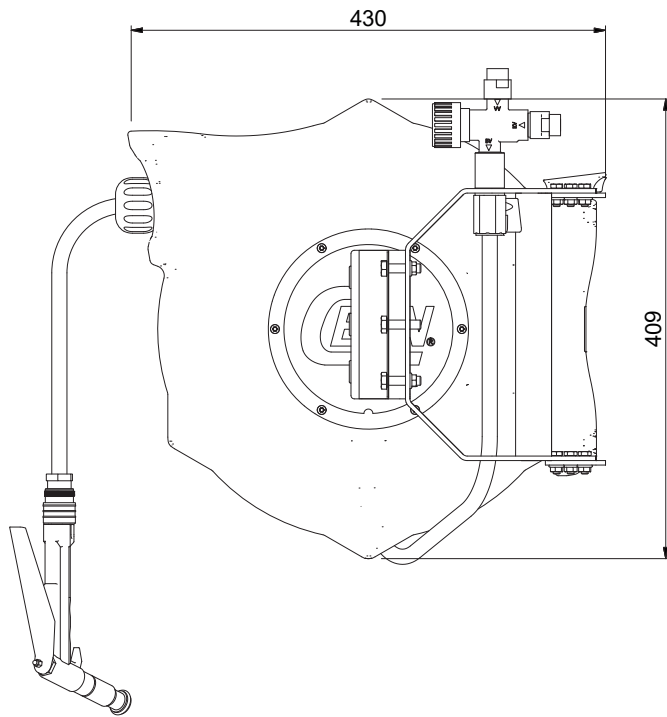
Loipart SEA Pte Ltd, **Singapore**
Tel. +65 674 99 100, contact@loipart.sg

Visit us at www.loipart.com

DIMENSIONS

Model: 865460

SIDE



FRONT

