



## **MEAT MINCER, 150KG/H**

**Model: TS12E**

**Article no: L15012**

**Power supply: 230V 1Ph ~50Hz**

The meat mincer TS12E has been designed to obtain advanced machines by offering many technical solutions like fan-cooled motors, reduction gears and screw-in oil baths, cutting groups, and stainless steel funnels. It is possible to free stopped meat without dismantling the cutting group using the model's reverse switch.

The compact size and low weight, combined with a single-phase electric connection, mean easy handling and installation. The excellent efficiency of the meat mincer TS12E is the result of combined research on speed and design of the cutting group, which does not suffer overheating, not even after a long-running period, assuring exceptional results in the quantity and quality of ground meat.

As standard, the mincer has a short-cutting group, including one knife and one disc with an optional hole diameter of 4.5 mm. The mincer and its fittings are built according to the CE rules in hygiene and safety and the specific rules concerning the mincers.

### **MAIN FEATURES**

- Anodized aluminum/stainless steel
- Reversible motor
- Single-phase electric connection
- Easy to clean

TS12E, L15012  
17-01-24 (07:28)

## TECHNICAL DATA

TS12E, L15012, 17-01-24 (07:28)

<b>Model Number Specific</b>	TS12E
<b>Voltage (V)</b>	230
<b>Phase</b>	1
<b>Frequency (Hz)</b>	50
<b>Loading (kW)</b>	0,75
<b>Max Amps in Phase (A)</b>	6,7
<b>IP Class</b>	X2
<b>Capacity (kg/h)</b>	150
<b>Width, net (mm)</b>	220
<b>Depth, net (mm)</b>	490
<b>Height, net (mm)</b>	430
<b>Weight, net (kg)</b>	21
<b>Weight, gross (kg)</b>	25
<b>Volume, net (m3)</b>	0,1
<b>Volume, gross (m3)</b>	0,13

## INCLUDED IN DELIVERY

1 pc knife and 1 pc chopping disc 4, 5 mm.

Loipart AB (HQ), **Sweden**  
Tel. +46 313 920 100, loipart@loipart.se

LMG Finland oy, **Finland**  
+358 40 664 6680, lmg@lmg.fi



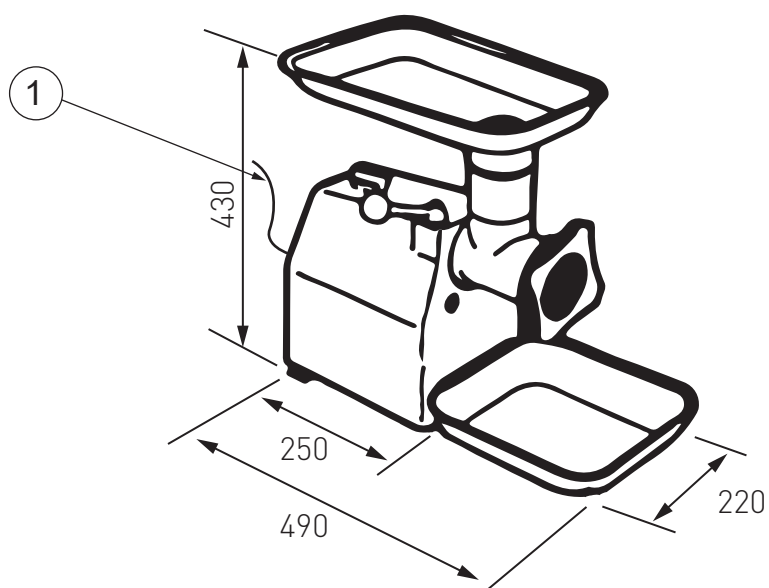
Loipart USA inc, **USA**  
Tel. +1 954 530 5276, loipartusa@loipart.com

Loipart SEA Pte Ltd, **Singapore**  
Tel. +65 674 99 100, contact@loipart.sg

Visit us at [www.loipart.com](http://www.loipart.com)

## DIMENSIONS

Model: TS12E Rev. 1



1. Electrical connection cable 1,5 m