



MICROWAVE OVEN 1800W S/S

Model: DEC18E2

Article no: 9S1008

Power supply: 230V 1Ph ~50Hz

This powerful microwave oven is designed for use in the most demanding foodservice locations. The compact, rugged construction with a few moving parts; the door with solid die-cast handle and transparent window, recessed and sealed single board controls means durability and reliability, long life use.

The unique method of energy distribution with rotating antenna provides superior even-heating.

The casing and oven interior with lighting made in stainless steel with smooth surfaces mean facilitated cleaning.

The microwave ovens offer a programmable selection of up to 100 of your most popular menu items.

Buttons can be preset by power level and time for fast, consistent operation. An X2 multiple button simplifies operation and training and improves product consistency when preparing more than one order at a time.

The ovens with 11 power level possibilities – from full power to hold – provide maximum flexibility for heating a wide variety of food items from frozen to fresh.

Standard supply includes a 1.7 m electrical earthed cord.

MAIN FEATURES

- Stainless Steel Construction
- Uniform Heating
- Digital Display With Timer
- Touch Control
- 11 Power Levels
- See-Through Window
- Interior Light
- Stackable Models
- Removable Filter
- Easy To Clean

DEC18E2, 9S1008

22-01-24 (13:59)

TECHNICAL DATA

DEC18E2, 9S1008, 22-01-24 (13:59)

Model Number Specific	DEC18E2
Voltage (V)	230
Phase	1
Frequency (Hz)	50
Loading (kW)	2,9
Ampere (A)	16
Max Amps in Phase (A)	16
IP Class	21
Capacity (L)	17
Width, net (mm)	419
Depth, net (mm)	578
Height, net (mm)	343
Weight, net (kg)	31
Weight, gross (kg)	34
Volume, net (m3)	0,08
Volume, gross (m3)	0,11
Connection Cable, length (m)	1,7
Installation, type	Table top model
Microwave power (kW)	1,8
Oven, type	Microwave
Power level, qty (pcs)	11
USPH	Yes

Loipart AB (HQ), **Sweden**
Tel. +46 313 920 100, loipart@loipart.se

LMG Finland oy, **Finland**
+358 40 664 6680, lmg@lmg.fi



Loipart USA inc, **USA**
Tel. +1 954 530 5276, loipartusa@loipart.com

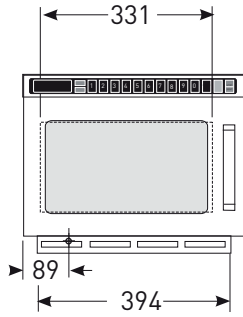
Loipart SEA Pte Ltd, **Singapore**
Tel. +65 674 99 100, contact@loipart.sg

Visit us at www.loipart.com

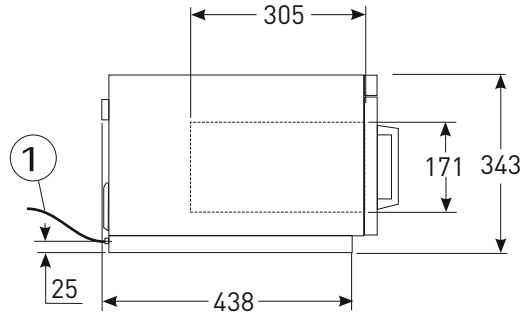
DIMENSIONS

Model: DEC18E2 Rev. 1

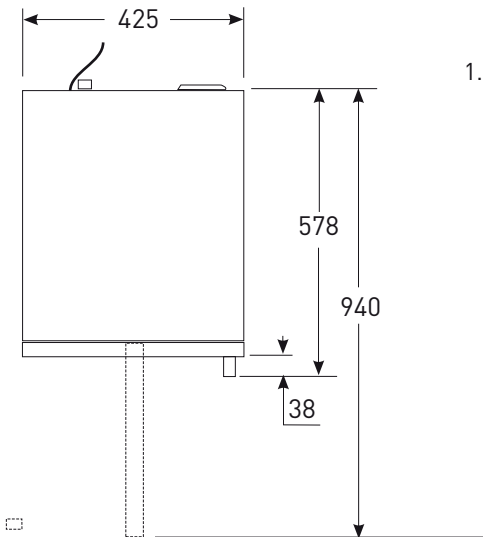
FRONT



SIDE



TOP



1. Electrical connection, 1.7 m cable with earthed plug included