



## RANGE, 6 HOT PLATES AND OVEN

**Model: E7ECML6Q25**

**Article no: 371152**

**Power supply: 400V 3Ph ~50/60Hz**

The 700XP range is designed to guarantee the highest level of performance, reliability, energy saving, safety standards and ergonomic operation.

This freestanding electric range is ideal for kitchens needing a flexible, powerful and easy to clean cooking top mounted on an electric oven.

Six hermetically sealed 2.6kW cast-iron plates on a one-piece pressed 1.5 mm stainless steel worktop. Exterior panels are in stainless steel with Scotch Brite finish.

The oven has a recessed, double skinned, insulated door for air-tight closure and better hygiene. The cavity is in stainless steel with a vitreous enamelled ribbed base plate to allow direct placement of pans. Three levels of runners to accommodate 2/1GN shelves. Separate thermostats for the top and bottom elements adjustable from 140° to 300°C and power of 6 kW.

Main connections are accessible from below the base of the unit and all components from the front.

The range has marine feet in stainless steel, adjustable up to 50mm in height.

### MAIN FEATURES

- Four 2.6kW cast-iron square plates are hermetically sealed to the one-piece top.
- Stainless steel oven chamber with 3 levels of runners for 2/1 GN shelves (2 steam pans).
- Ribbed enamelled steel oven base plate.
- Oven thermostat adjustable from 140 °C to 300 °C.
- IPX 4 water protection.
- All exterior panels in Stainless Steel

E7ECML6Q25, 371152

08-09-22 (09:35)

<b>Model Number Specific</b>	E7ECML6Q25
<b>Voltage (V)</b>	400
<b>Phase</b>	3
<b>Frequency (Hz)</b>	50/60
<b>Loading (kW)</b>	21,6
<b>Max Amps in Phase (A)</b>	31,5
<b>IP Class</b>	X4
<b>Capacity, pans (pcs)</b>	3
<b>Width, net (mm)</b>	1200
<b>Depth, net (mm)</b>	730
<b>Height, net (mm)</b>	850
<b>Weight, net (kg)</b>	125
<b>Weight, gross (kg)</b>	150
<b>Volume, net (m3)</b>	1,2
<b>Volume, gross (m3)</b>	1,56
<b>Product brand</b>	Electrolux Professional
<b>Adapted for container sizes</b>	GN
<b>Front rail, included</b>	Yes
<b>Hot plate dimensions (mm)</b>	230x230
<b>Hot Plate loading (kW)</b>	2,6
<b>Hot plate, qty (pcs)</b>	6
<b>Hot plate, type</b>	Square
<b>Installation, type</b>	Floor model
<b>Marine feet</b>	Yes
<b>Noise level &lt;(dB)</b>	70
<b>Oven, included</b>	Yes
<b>Oven, type</b>	Roasting and Baking
<b>Ovens, qty (pcs)</b>	1
<b>Pan sizes</b>	GN2/1
<b>Range, type</b>	Cast Iron
<b>Temperature, max (°C)</b>	300
<b>Timer</b>	No
<b>Touch control</b>	No

**INCLUDED IN DELIVERY**

- 1 of GN2/1 chrome grid for static oven PNC 164250 • 1 of Frontal handrail, 1200mm PNC 216049

Loipart AB (HQ), Sweden  
Tel. +46 313 920 100, loipart@loipart.se

LMG Finland oy, Finland  
+358 40 664 6680, lmg@lmg.fi

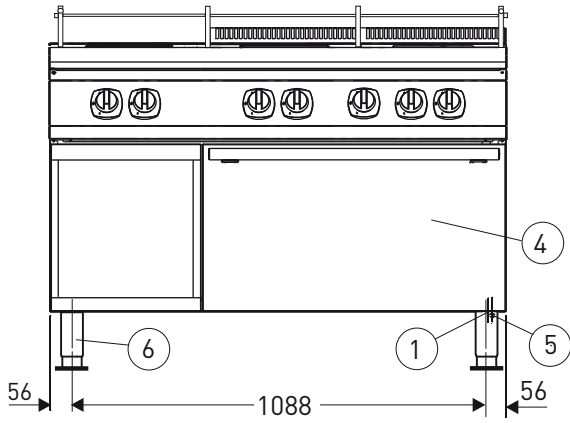


Loipart USA inc, USA  
Tel. +1 954 530 5276, loipartusa@loipart.com

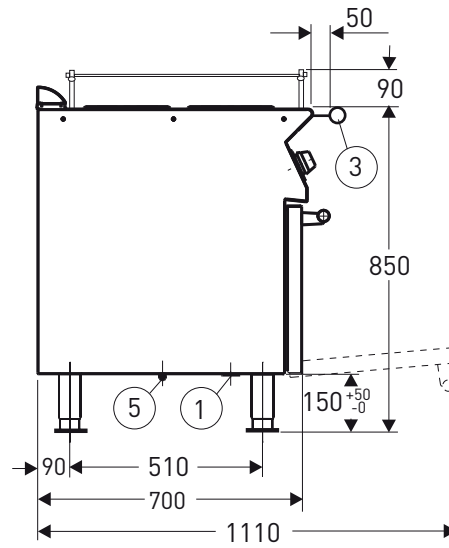
Loipart SEA Pte Ltd, Singapore  
Tel. +65 674 99 100, contact@loipart.sg

Visit us at [www.loipart.com](http://www.loipart.com)

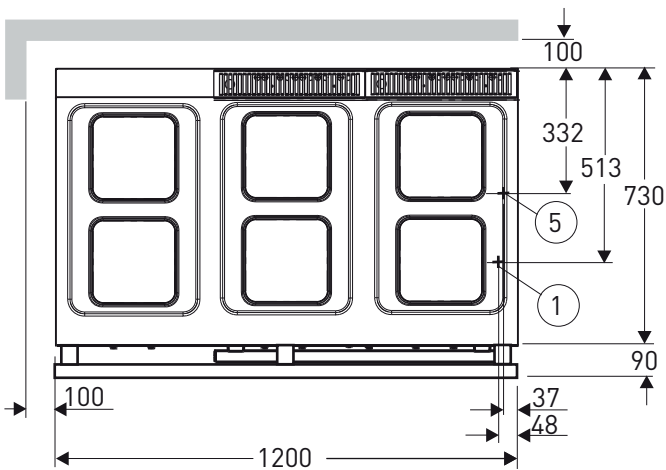
FRONT



SIDE



TOP



- 1. Electrical connection
- 2. Rolling rack
- 3. Front hand rail
- 4. Oven 6.0 kW
- 5. Equipotential screw
- 6. Marine legs

DETAIL MARINE FEET

