



REFRIGERATED COUNTER, FLAT TOP, 4 DRAWERS, 1200MM

Model: CLMGNH-2-CE-2

Article no: L22038

Power supply: 230V 1Ph ~50/60Hz

This refrigerated counter with a flat top is intended to prepare and store chilled food. Supplied ready for marine use and made of stainless steel AISI grade 304 bodies both internally and externally.

The counter has lockable drawers and an easily removable magnetic door gasket. The modular construction means no tools are required to remove the refrigeration unit, drawers, and runners.

The model is fitted with fan-forced air circulation, a 50 mm thick polyurethane insulation, an automatic defrost and meltwater evaporation, and a blocked condenser alarm.

All drawers are adapted for GN-sized containers.

MAIN FEATURES

- Visual high/low-temperature alarm
- Blocked condenser/high ambient temperature alarm
- Exterior/Interior finish in stainless steel grade AISI 304
- Insulation with high-density CFC/HCFC free polyurethanes
- Slide-in/out refrigeration cassette (by hand) for easy service
- Built-in washable condenser air filter

CLMGNH-2-CE-2, L22038

26-01-24 (11:35)

TECHNICAL DATA

CLMGNH-2-CE-2, L22038, 26-01-24 (11:35)

Model Number Specific	CLMGNH-2-CE-2
Voltage (V)	230
Phase	1
Frequency (Hz)	50/60
Loading (kW)	0,25
Fuse (A)	10
IP Class	43
Width, net (mm)	1260
Depth, net (mm)	650
Height, net (mm)	900
Weight, net (kg)	110
Weight, gross (kg)	125
Volume, net (m3)	0,97
Volume, gross (m3)	1,26
Connection Cable, length (m)	2
Plug type	Schuko
Adapted for container sizes	GN
Ambient temperature, max (°C)	25
Ambient temperature, min (°C)	5
Automatic defrost	Yes
Certifications	CE
Cooling fan	Yes
Doors, qty (pcs)	4
Filling factor refrigerant (g)	80
Installation, type	Floor model
Locking device, included	Yes
Marine feet	Yes
Noise level <(dB)	55
Placing	Free standing
Refrigerant type	R290
Sections, qty (pcs)	3

Loipart AB (HQ), Sweden
Tel. +46 313 920 100, loipart@loipart.se

LMG Finland oy, Finland
+358 40 664 6680, lmg@lmg.fi

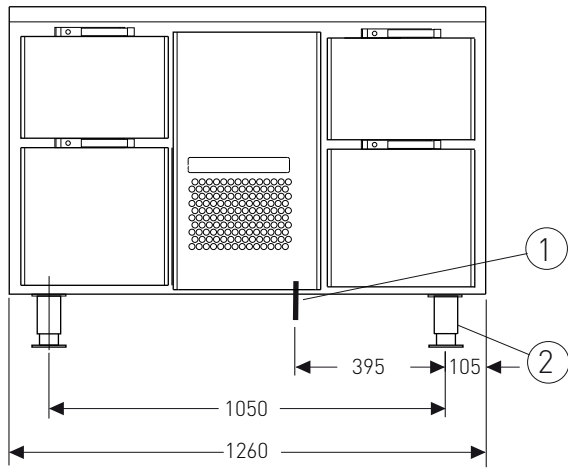


Loipart USA inc, USA
Tel. +1 954 530 5276, loipartusa@loipart.com

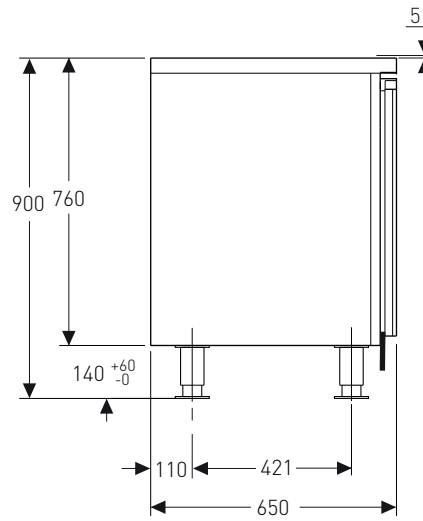
Loipart SEA Pte Ltd, Singapore
Tel. +65 674 99 100, contact@loipart.sg

Visit us at www.loipart.com

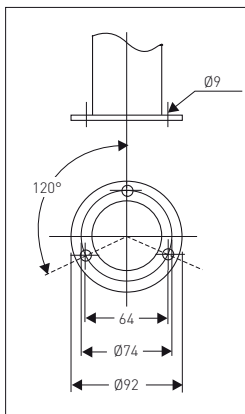
FRONT



SIDE



DETAIL MARINE FEET



1. Electrical connection, 2 m cord with plug included
2. Adjustable marine feet (+60/-0)

The units are to be levelled and bolted to deck.