



REFRIGERATED COUNTER, 2 DOORS, 1260MM

Model: CDGN-M-1-C1-1

Article no: L22078

Power supply: 230V 1Ph ~50/60Hz

The range of cold units includes various types of refrigerated drawers, cabinets, and worktops. Thanks to the flexible modular construction, they are easy to combine to create a customized food service system that best suits individual needs. All units are made of stainless steel and comply with the hygiene standards for professional galleys.

This refrigerated counter is intended to store cold foods for a short period. All surfaces are stainless steel and come with 63mm adjustable marine feet. The counter has GN-sized cupboards and drawers and includes a locking latch with a key. The drawers have removable slide rails and plastic magnetic gaskets.

The technical features of products are designed to meet the requirements of cold storage in ambient temperatures up to +30°C. The refrigeration module is removable without tools and comes with automatic defrost and evaporation of defrost water. A ventilated refrigeration module ensures even temperature distribution.

The unit has 50 mm thick walls, and the insulating material is polyurethane.

MAIN FEATURES

- Temperature adjustable between +2 and +6°C
- Digital temperature display
- CFC and HCFC-free insulation
- Unit is CE marked
- Refrigerator module 250 W
- Refrigerant type R290

CDGN-M-1-C1-1, L22078

26-01-24 (11:33)

TECHNICAL DATA

CDGN-M-1-C1-1, L22078, 26-01-24 (11:33)

Model Number Specific	CDGN-M-1-C1-1
Voltage (V)	230
Phase	1
Frequency (Hz)	50/60
Loading (kW)	0,25
IP Class	44
Capacity (L)	202
Width, net (mm)	1260
Depth, net (mm)	650
Height, net (mm)	900
Weight, net (kg)	120
Weight, gross (kg)	130
Volume, net (m3)	0,74
Volume, gross (m3)	0,96
Connection Cable, length (m)	3
Plug type	Schuko
Adapted for container sizes	GN
Ambient temperature, max (°C)	30
Automatic defrost	Yes
Certifications	CE
Cooling capacity (W)	250
Cooling fan	Yes
Doors, qty (pcs)	2
Filling factor refrigerant (g)	150
Installation, type	Floor model
Locking device, included	Yes
Marine feet	Yes
Noise level <(dB)	70
Pan sizes	GN1/1
Placing	Free standing
Refrigerant type	R290
Sections, qty (pcs)	3

Loipart AB (HQ), Sweden
Tel. +46 313 920 100, loipart@loipart.se

LMG Finland oy, Finland
+358 40 664 6680, lmg@lmg.fi



Loipart USA inc, USA
Tel. +1 954 530 5276, loipartusa@loipart.com

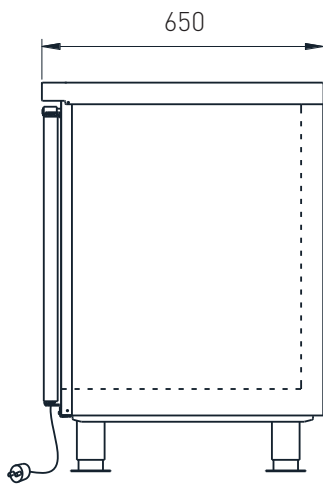
Loipart SEA Pte Ltd, Singapore
Tel. +65 674 99 100, contact@loipart.sg

Visit us at www.loipart.com

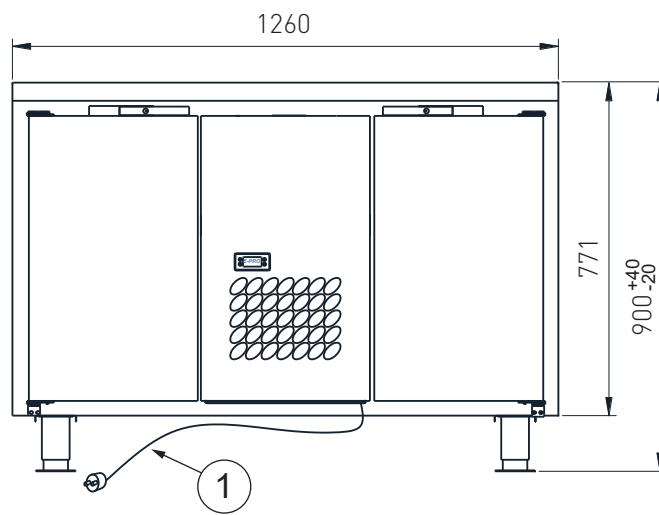
DIMENSIONS

Model: CDGN-M-1-C1-1 Rev. 1

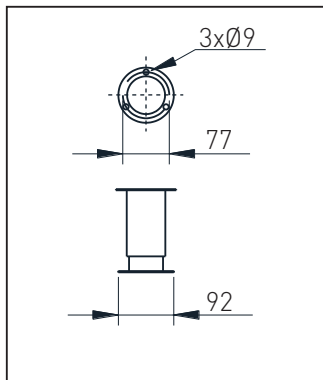
SIDE



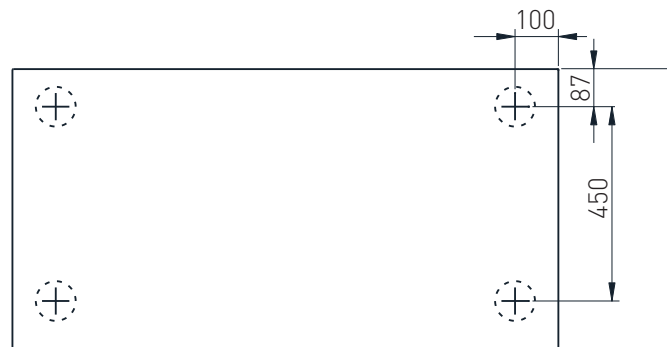
FRONT



DETAIL MARINE FOOT



TOP



1. Electrical connection cable 3 m, Schuko plug.