



## REFRIGERATOR 470 L, R134

Model: PS04R1FM

Article no: 691377

Power supply: 230V 1Ph ~60Hz

Full-door refrigerator in stainless steel with a large external panel and foot pedal. The refrigerator's large digital display has a humidity selection button (3 preset levels), cabinet temperature display setting, and turbo frost cycle (to rapidly cool warm loads). In addition, the HACCP-compliant control with alarms and history of up to two months of events are kept in memory.

The structure of the wireframe condenser prevents dust and grease accumulation, thus avoiding periodical cleaning operations and reducing energy consumption.

A fully automatic Frost Watch Control will defrost when required and automatic evaporation of defrost water. The defrost starts only when ice builds up in the evaporator and adapts the defrosting duration to guarantee perfect ice removal and optimizing energy consumption.

The self-closing, on-site reversible door has a microswitch to switch off the fan when the door is opened. The optimized airflow within the chamber guarantees uniformity of temperature on all grids.

The refrigerator is prearranged to fit RS485 port to connect to a remote computer and integrated HACCP systems.

### MAIN FEATURES

- Operation temperature from 0°C to +10°C
- Suitable to contain 700x530 mm grids or shelves
- Self-closing and on-site reversible door
- Automatic evaporation of defrosting water
- Low noise level
- 40°C maximum ambient temperature

PS04R1FM, 691377

05-02-24 (13:00)

<b>Model Number Specific</b>	PS04R1FM
<b>Voltage (V)</b>	230
<b>Phase</b>	1
<b>Frequency (Hz)</b>	60
<b>Loading (kW)</b>	0,27
<b>IP Class</b>	21
<b>Width, net (mm)</b>	600
<b>Depth, net (mm)</b>	700
<b>Height, net (mm)</b>	2075
<b>Weight, net (kg)</b>	104
<b>Weight, gross (kg)</b>	122
<b>Volume, net (m3)</b>	0,86
<b>Volume, gross (m3)</b>	1,11
<b>Connection Cable, length (m)</b>	3,5
<b>Plug type</b>	Schuko
<b>Ambient temperature, max (°C)</b>	40
<b>Automatic defrost</b>	Yes
<b>Condensor type</b>	Air cooled
<b>Cooling fan</b>	Yes
<b>Door Hanging</b>	Right
<b>Door, type</b>	Stainless steel
<b>Doors, qty (pcs)</b>	1
<b>Exterior</b>	Stainless steel
<b>Filling factor refrigerant (g)</b>	160
<b>Grids, qty (pcs)</b>	4
<b>Installation, type</b>	Floor model
<b>Marine feet</b>	Yes
<b>Noise level &lt;(dB)</b>	52
<b>Refrigerant type</b>	R134a
<b>Temperature, max (°C)</b>	10
<b>Volume, refrigerator (L)</b>	470

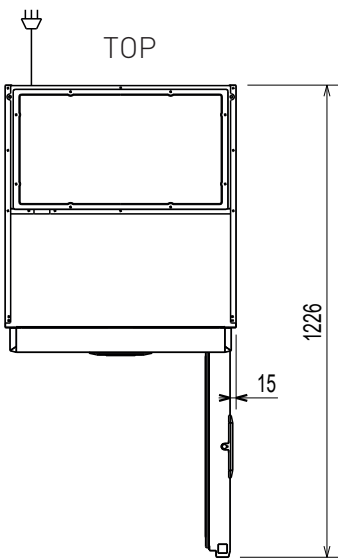
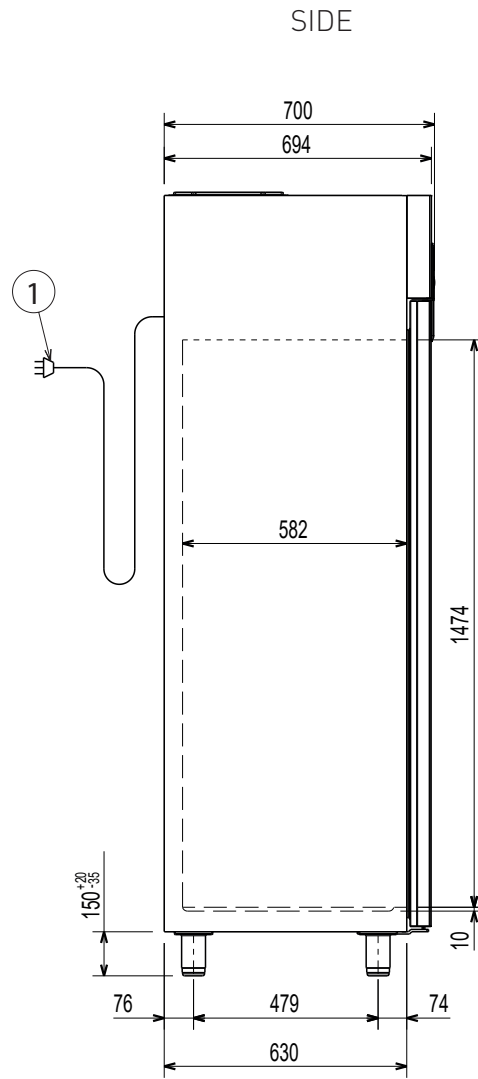
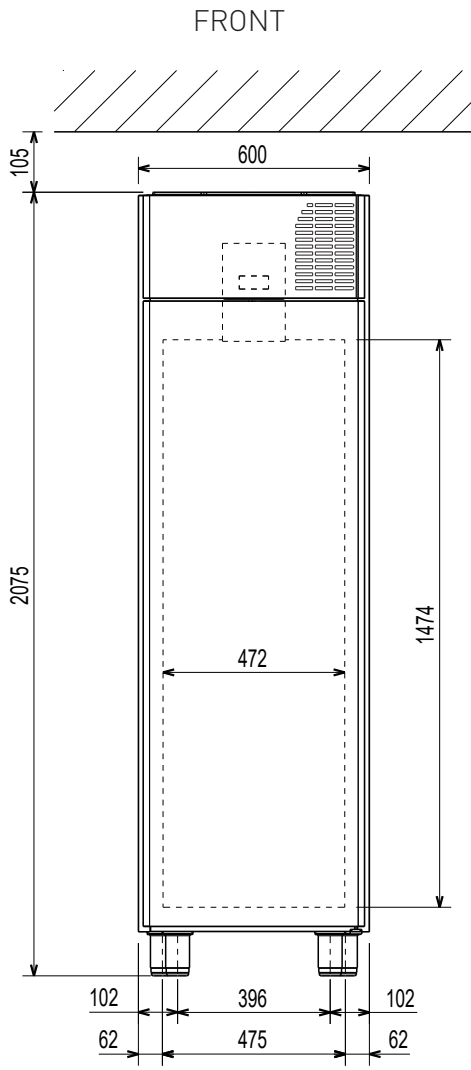
INCLUDED IN DELIVERY

4 pcs of Plastic coated grid (552x442). 4 of a Kit pair of runners. 1 of Pedal opening for cabinets (880324)



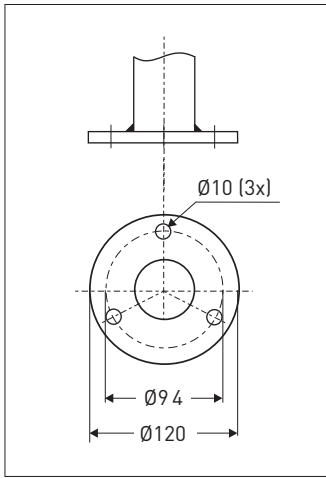
# DIMENSIONS

Model: PS04R1FHC Rev. 1



1. Electrical connection

DETAIL MARINE FEET



POSITIONING

