



## RICE COOKER 13L

**Model: Exxent**

**Article no: 90065**

**Power supply: 230V 1Ph ~50Hz**

The electric rice cooker is a powerful and full featured rice cooker designed and built for commercial use. With cook and heat preservation functions this model offers automatic shut-off and hold when done.

Press the switch button and the red pilot lamp that lets you know the unit is cooking. The cooker is provided with a magnetic thermal limiter located in the middle of the heater plate for better cooking control. It senses when the water has been absorbed, ending the cooking cycle before the rice can burn. When the rice is finished the switch button is automatically released and the pilot lamp will turn to yellow. Keep the lid on for 10 more minutes to be sure that the rice is thoroughly cooked.

The temperature of the rice will be automatically kept within the range of 60-80 °C.

When the temperature of the rice has fallen below that point the pilot lamp will begin to flash indicating that the heat preservation unit has been set to work.

The rice cooker is delivered including a measuring cup and a rice scoop and provided with a 1.3 m long electrical cord with earthed plug.

### MAIN FEATURES

- High output
- Exelent frying results
- Energy and oil saving
- Insulated execution
- Precise temperature control
- Six sizes
- Easy to clean
- Protection class ipx5
- Manufactured acc. to Solas recommendations

Exxent, 90065  
18-01-24 (17:09)

## TECHNICAL DATA

Exxent, 90065, 18-01-24 (17:09)

<b>Model Number Specific</b>	Exxent
<b>Voltage (V)</b>	230
<b>Phase</b>	1
<b>Frequency (Hz)</b>	50
<b>Loading (kW)</b>	1,95
<b>Fuse (A)</b>	10
<b>IP Class</b>	21
<b>Capacity (L)</b>	13
<b>Width, net (mm)</b>	450
<b>Depth, net (mm)</b>	400
<b>Height, net (mm)</b>	360
<b>Weight, net (kg)</b>	6,3
<b>Weight, gross (kg)</b>	7,6
<b>Volume, net (m3)</b>	0,07
<b>Volume, gross (m3)</b>	0,09
<b>Connection Cable, length (m)</b>	1,3
<b>Plug type</b>	Schuko
<b>Other general information</b>	Unit works on 50hz and 60hz. Data plate shows only 50hz.

Loipart AB (HQ), **Sweden**  
Tel. +46 313 920 100, loipart@loipart.se

LMG Finland oy, **Finland**  
+358 40 664 6680, lmg@lmg.fi



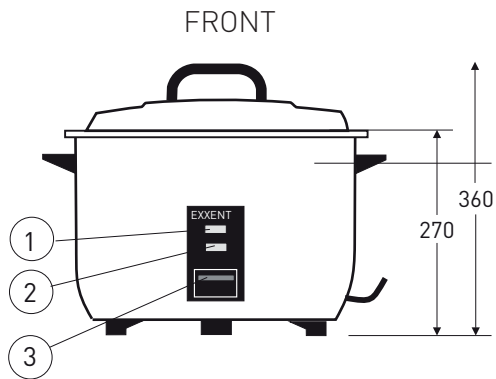
Loipart USA inc, **USA**  
Tel. +1 954 530 5276, loipartusa@loipart.com

Loipart SEA Pte Ltd, **Singapore**  
Tel. +65 674 99 100, contact@loipart.sg

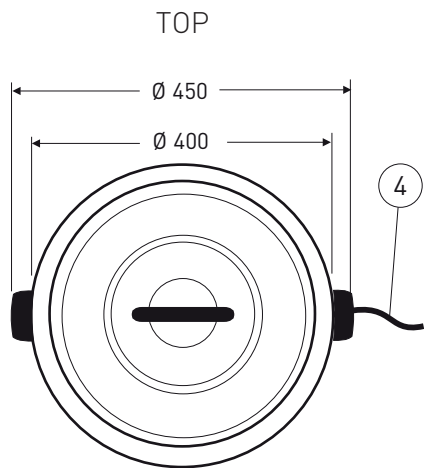
Visit us at [www.loipart.com](http://www.loipart.com)

## DIMENSIONS

Model: Exxent Rev. 1



1. Pilot lamp COOKING
2. Pilot lamp WARMING
3. Switch
4. Electrical connection, 1.3 m long cord with Schuko plug



## MARINE INSTALLATION

The rice cooker is a loose table item with three plastic feet. Use angle bars (not included) or other suitable arrangement to keep the unit from moving on the table top due to ship's movements in the sea.

