



TUMBLE DRYER, 10 KG

Model: TD6-10

Article no: 9873530028

Power supply: 230V 1Ph ~60Hz

The TD6-10 tumble dryer has a certified ergonomic design with a human-centered approach for an outstanding user experience. The reversible door hanging makes the tumble dryer adaptable for a convenient laundry flow. It's easy to access vital parts from front and rear for simple servicing.

The tumble dryer has innovative features to save money, time and embrace a sustainable lifestyle. Moisture Balance (optional) helps to stop the drying process at the right time to save on energy costs.

Dry more laundry in less time: a game-changing improvement. The reversing drum minimizes wrinkles and drying time to get an effective and even drying performance with two full loads per hour.

The Global Advanced Hygiene program package with proven log 6 reduction disinfection of textiles through the laundry process, fulfilling the criteria of all locally approved standards.

MAIN FEATURES

- Certified ergonomic design
- Reversing drum
- Compass Pro control
- Moisture Balance (optional)
- Reversible door hanging

TD6-10, 9873530028
16-01-24 (13:34)

Subject to change without notice
For correct installation, refer to the installation manual

TECHNICAL DATA

TD6-10, 9873530028, 16-01-24 (13:34)

Model Number Specific	TD6-10
Voltage (V)	230
Phase	1
Frequency (Hz)	60
Loading (kW)	8,4
Fuse (A)	50
IP Class	X4
Capacity (kg)	10
Capacity, filling factor	1:18
Capacity, filling factor (kg)	10,6
Width, net (mm)	720
Depth, net (mm)	747
Height, net (mm)	1113
Weight, net (kg)	103
Weight, gross (kg)	114
Volume, net (m3)	0,8
Volume, gross (m3)	1,04
Certifications	CE, Ergocert (Ergonomics Certified)
Door Hanging	Right (is reversible)
Drum type	Galvanized
Dryer, type	Vented
Drying cycle time (min)	35
Energy consumption (kW/h)	4,03
Exterior	Colored
Installation, type	Floor model
Noise level <(dB)	70
Other general information	Exhaust outlet Ø125
Residual moisture control	Yes
Reversing drum	Yes
SS Front panel	Yes
Stackable	No
Touch control	No
Volume, drum (L)	190

Loipart AB (HQ), Sweden
Tel. +46 313 920 100, loipart@loipart.se

LMG Finland oy, Finland
+358 40 664 6680, lmg@lmg.fi



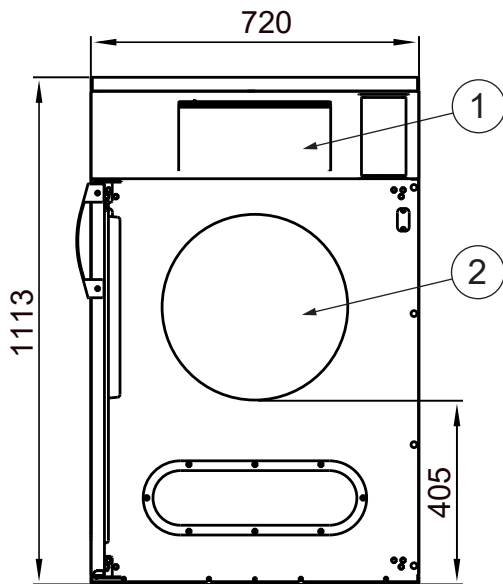
Loipart USA inc, USA
Tel. +1 954 530 5276, loipartusa@loipart.com

Loipart SEA Pte Ltd, Singapore
Tel. +65 674 99 100, contact@loipart.sg

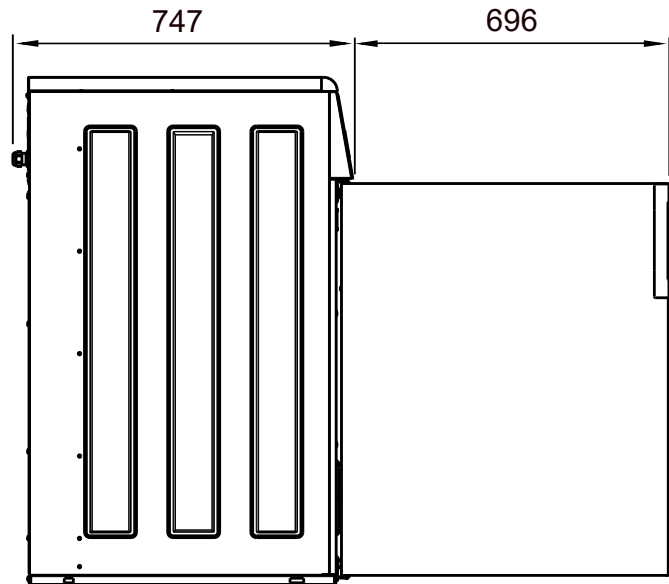
Visit us at www.loipart.com

DIMENSIONS

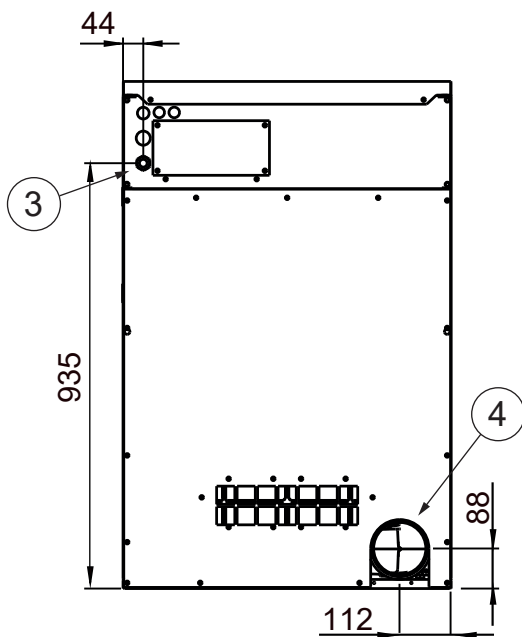
FRONT



SIDE



BACK



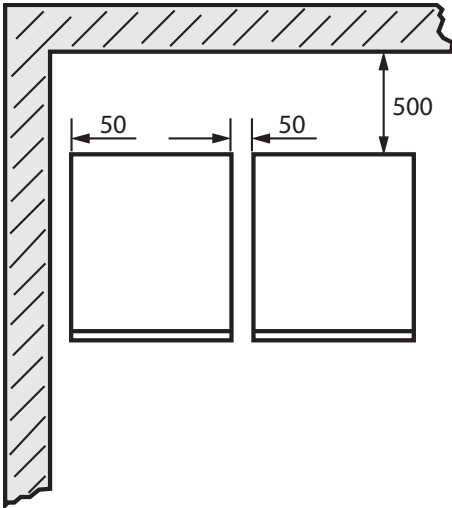
- 1. Operating panel
- 2. Door opening, \varnothing 580 mm
- 3. Electrical connection
- 4. Air outlet 125 mm

DIMENSIONS

Model: TD6-10 Rev. 1

POSITIONING OF MACHINE

The machine should be positioned so that there is plenty of room for working, both for the user and service personnel. The figure shows minimum distance to a wall and/or other machines.

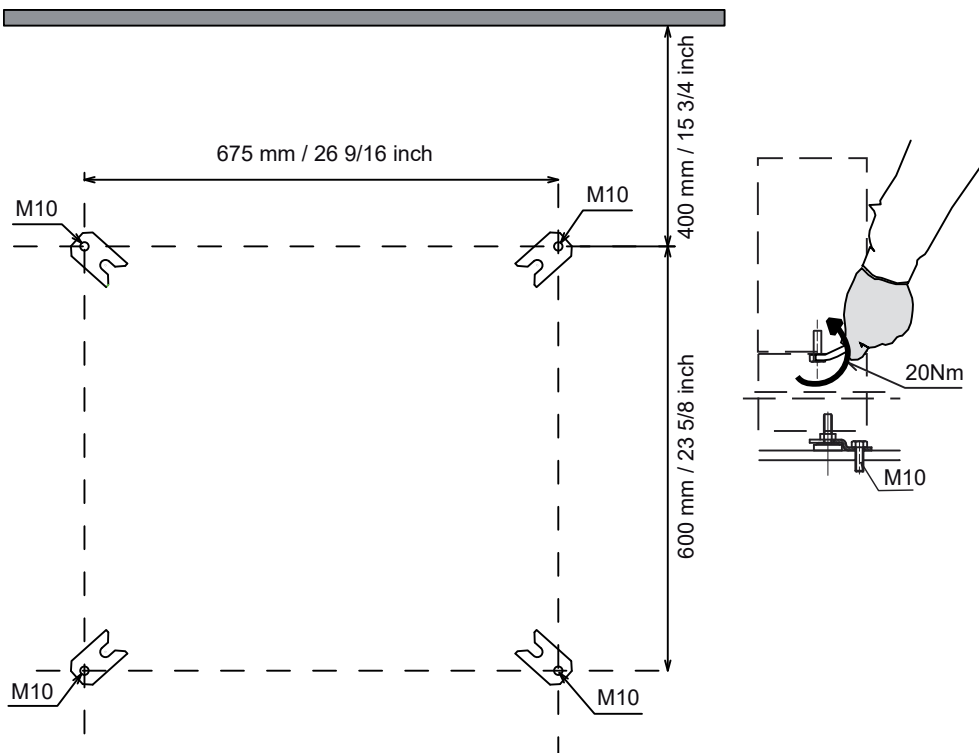


MARINE INSTALLATION

To ensure steadiness of the machine it is important to fasten the machine to the foundation.

Fasten the four fittings (supplied with the marine machine model) to the foundation using four x M10 set screws.

Fasten the machine to the fittings.



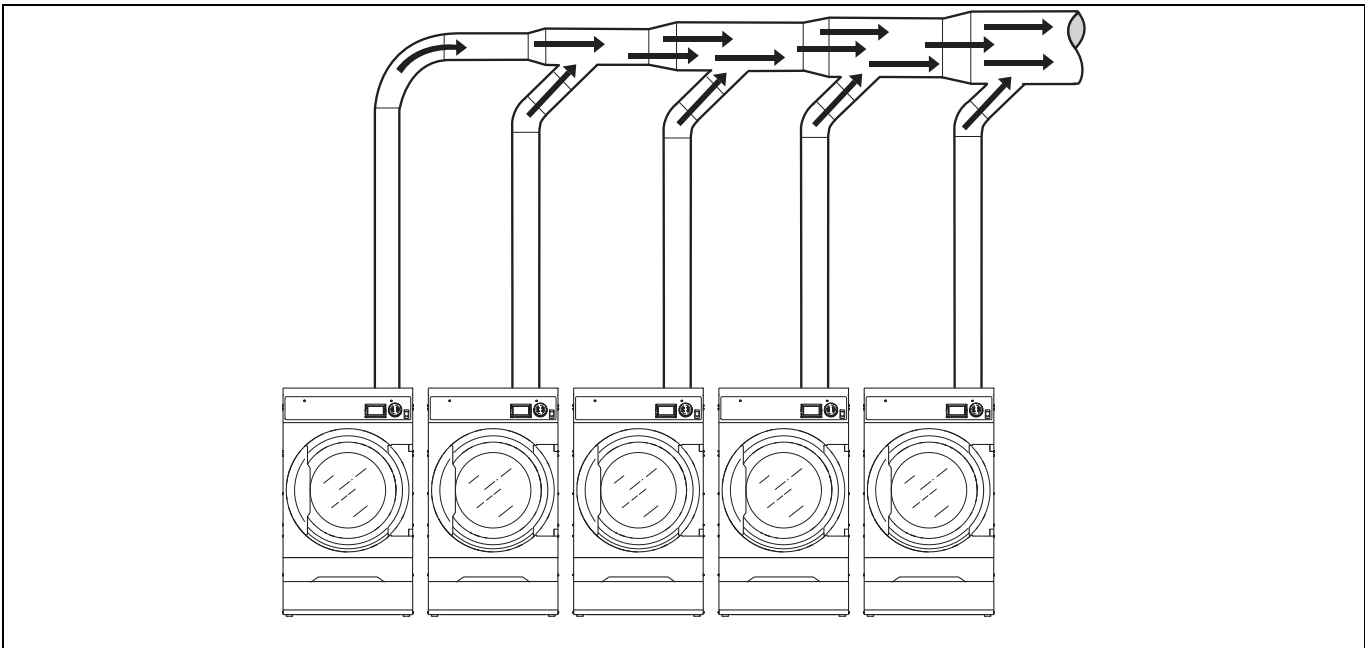


It is recommended that each machine is connected to a separate exhaust duct.

Air principles

Note! It is very important that the machine gets enough fresh air in order to get the best drying result.

The fan creates low pressure in the machine, drawing air into the drum via the heating unit. The heated air passes through the garments and the drum holes and flows out through the filter positioned below the drum. The air is then evacuated through the fan and exhaust system.



Number of machines		1	2	3	4	5	6	7	8	9	10
Exhaust duct	Ømm	125	200	250	250	315	315	400	400	400	400
Recommended area of fresh air intake	m ²	0.06	0.16	0.25	0.25	0.39	0.39	0.63	0.63	0.63	0.63
Minimum area of fresh air intake	m ²	0.03	0.06	0.09	0.12	0.15	0.18	0.21	0.24	0.27	0.3



The exhaust duct diameter must not be reduced.

Exhaust dimensioning

Note! The exhaust duct diameter must not be reduced.

It is important that the machine has correct air volume compared to each machines power.

If the air flow is smaller or larger this will result in a longer drying period.

If the outlet pipe is long or the ventilation is not properly designed we recommend to clean the outlet pipes periodically. Usually, longer ducts need more frequent cleaning.

The exhaust pipes shall be short in order for the machine to work in the best way.

All cover panels must be mounted in order for the machine to work in the best way.