



POT AND PAN WASHER

Model: EPPWESG60

Article no: 506071

Power supply: 440V 3Ph ~60Hz

The Pot and Pan washer is designed for washing containers, baking plates, trays, pots and pans, casseroles, storage boxes, and cooking utensils. The front and side panel, wash tank, filters, and wash and rinse arms are manufactured in 304 AISI stainless steel. An additional 3-sided wash arm provides more powerful wash water for the best cleaning of soiled items.

The Pot and Pan washer has four washing cycles of 180-360-540 seconds and is continuous for different levels of soiled items. The machine is also provided with a fault autodiagnosis system and prearrangements for the automatic detergent dispenser, HACCP system implementation, and Energy Management device. The machine's construction includes an atmospheric boiler combined with the rinse booster pump for perfect rinsing performances.

The 180° frontal opening door allows easy access to the washing chamber. The model also has a built-in drain pump, rinse aid, and detergent dispense.

MAIN FEATURES

- Double skin insulated door for less heat and noise dispersion.
- Electronic board with digital display.
- High efficiency air gap (class A) in water inlet.
- Simple control panel.
- Easy removable wash- and rinse arms, pump and tank filters.
- Smooth surfaces and a tank with rounded corners for simplify cleaning.
- Fully automatic self-cleaning cycle.
- 97% recyclable by weight.

EPPWESG60, 506071

15-01-24 (15:53)

Model Number Specific	EPPWESG60
Voltage (V)	440
Phase	3
Frequency (Hz)	60
Loading (kW)	20
Fuse (A)	25
IP Class	X5
Capacity, max (racks/h)	20
Width, net (mm)	876
Depth, net (mm)	900
Height, net (mm)	1791
Weight, net (kg)	200
Weight, gross (kg)	230
Volume, net (m3)	1,41
Volume, gross (m3)	1,84
Plug type	None
Atmospheric boiler	Yes
Certifications	CE
Connection height, drain (mm)	220
Connection height, electric (mm)	220
Connection height, water (mm)	220
Cycle time (s)	180
Detergent pump incl.	Yes
Dishwashing racks	1
Drain pipe, diameter (mm)	20
Drain pump	Yes
Feeding, type	Batch
Hardness, max (dH°)	8
Hot water inlet temperature (°C)	50
Hot water inlet, diameter (mm)	20
Installation, type	Floor model
Marine feet	Yes
Noise level <(dB)	70
Rinse pump incl.	Yes

Rinse temperature (°C)	84
Touch control	No
Water consumption (L/cycle)	7
Water pressure, max (Bar)	7
Water pressure, min (Bar)	0,5

INCLUDED IN DELIVERY

864182 Extra rack for container and trays and 864191 S/S basket for pot washer 688 mm

Loipart AB (HQ), **Sweden**
Tel. +46 313 920 100, loipart@loipart.se

LMG Finland oy, **Finland**
+358 40 664 6680, lmg@lmg.fi



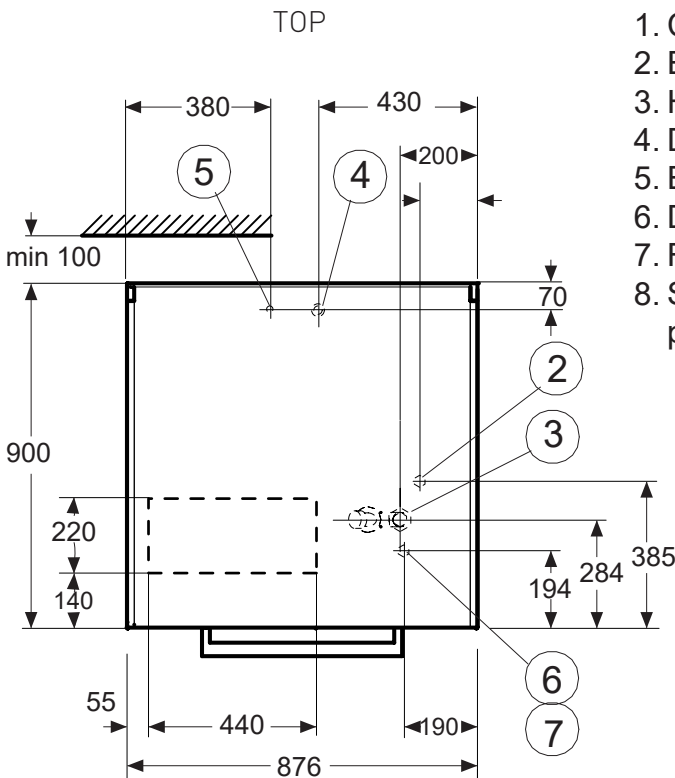
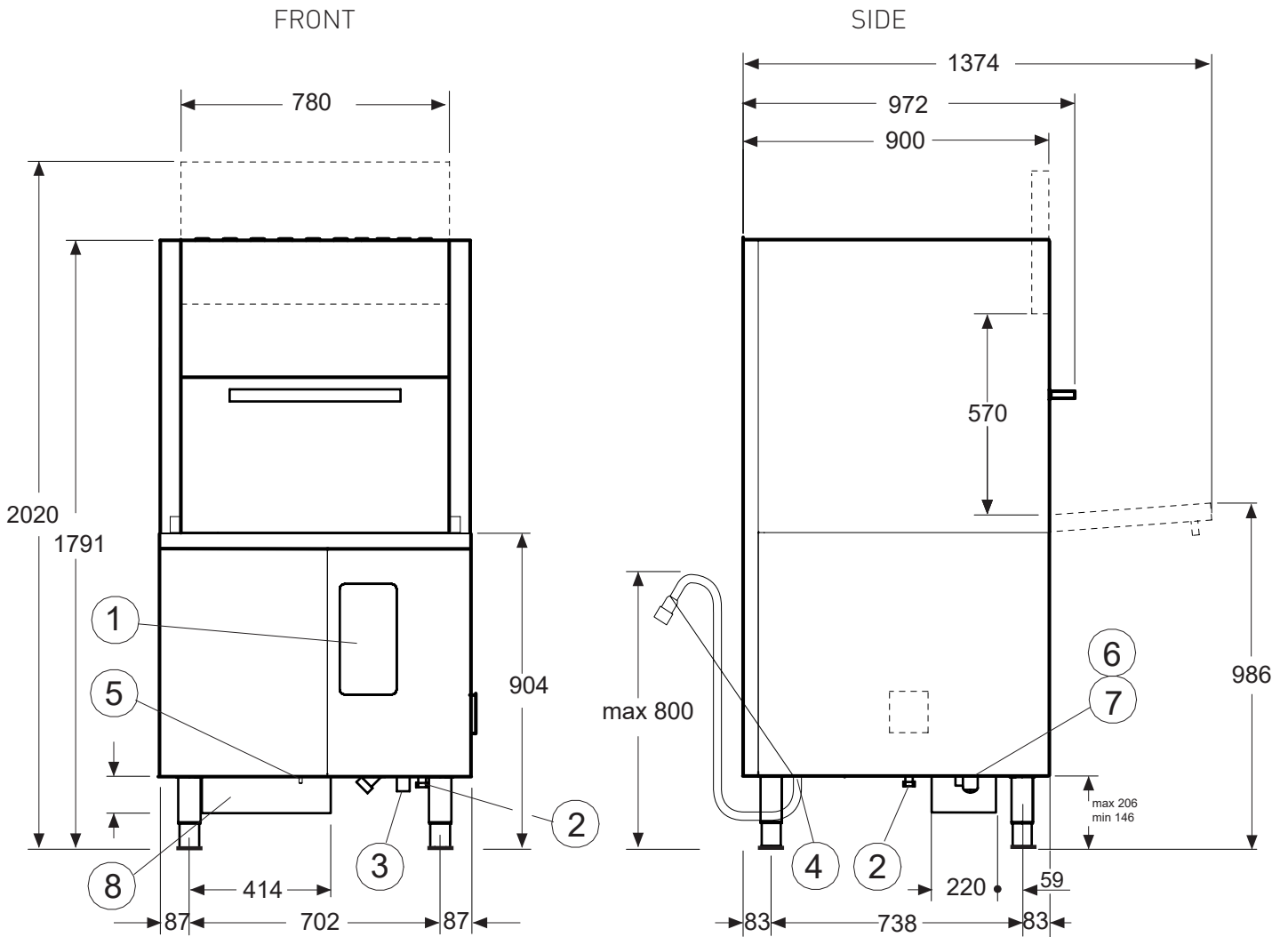
Loipart USA inc, **USA**
Tel. +1 954 530 5276, loipartusa@loipart.com

Loipart SEA Pte Ltd, **Singapore**
Tel. +65 674 99 100, contact@loipart.sg

Visit us at www.loipart.com

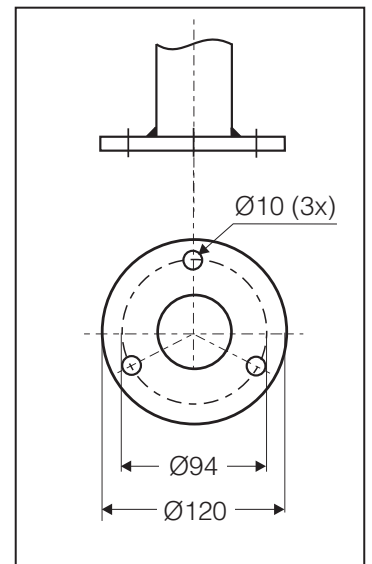
DIMENSIONS

Model: EPPWESG Rev.2



1. Control panel
2. Electrical connection
3. Hot water connection 20 mm
4. Drain connection 20 mm
5. Equipotential screw
6. Detergent connection
7. Rinse aid connection
8. S/s box - drain pump protection

DETAIL MARINE FOOT



Min 146
Max 206