

DROP IN HOT BAIN-MARIE UNITS



Model : 0406Ht-02.00

2 x GN 1/1



Model : 0406Ht-03.00

3 x GN 1/1



Model : 0406Ht-04.00

4 x GN 1/1



Model : 0406Ht-05.00

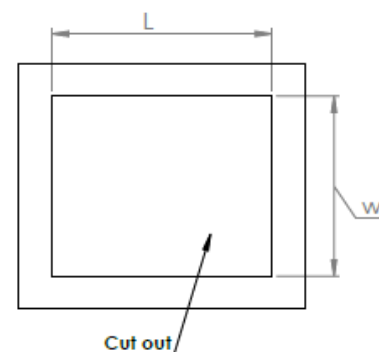
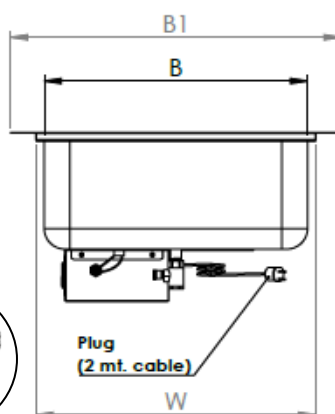
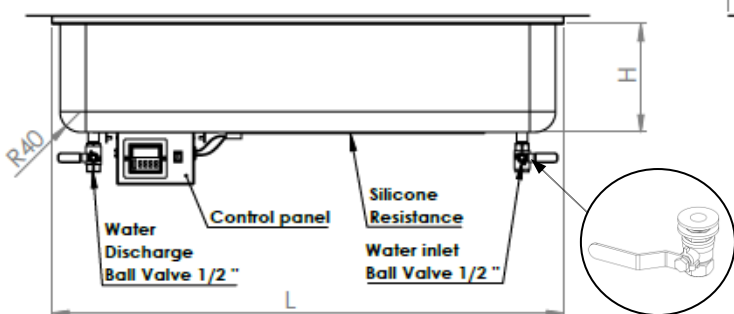
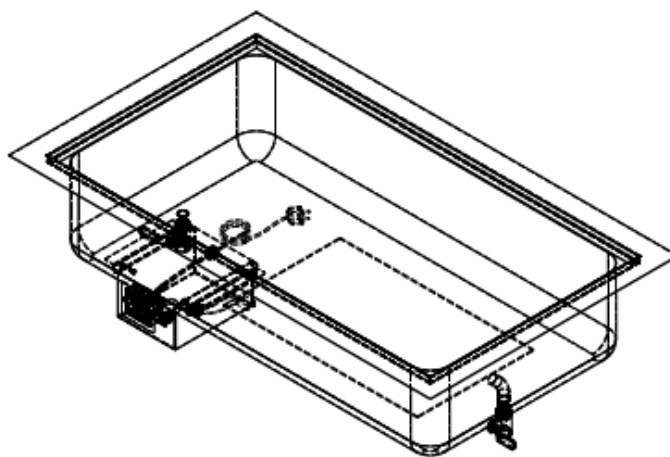
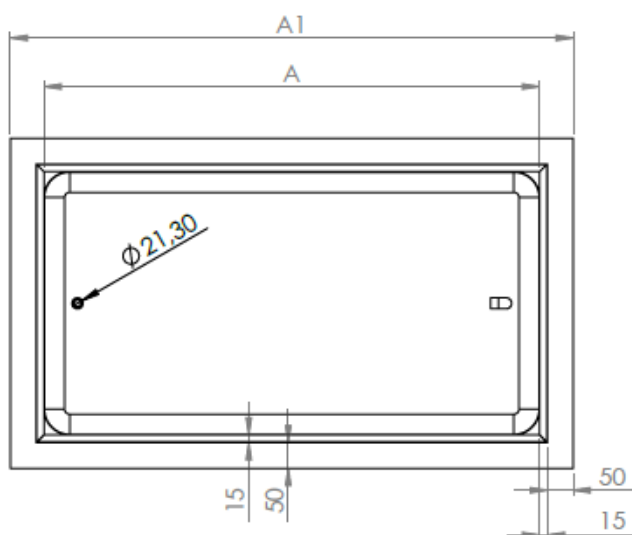
5 x GN 1/1



Model : 0406Ht-06.00

6 x GN 1/1

- 304 quality 18/8 CrNi stainless steel frame.
- Gastro Norm wells with rounded corners.
- Capacity up to 6 x GN 1/1 containers.
- Stainless steel well with water inlet and drain valve.
- Demountable control panel.
- Temperature can be set from +30 °C to 90 °C



TECHNICAL DATA

Product Code	Capacity	A (mm)	B (mm)	A1 (mm)	B1 (mm)	H (mm)	W (mm)	L (mm)	Electrical Vaule (V / Ph / Hz.)	Power (Watt)
0406Ht-02.00	2 x GN 1/1	630	510	760	640	210	545	665	230 / 1N / 50-60	800
0406Ht-03.00	3 x GN 1/1	960	510	1090	640	210	545	995		1000
0406Ht-04.00	4 x GN 1/1	1200	510	1330	640	210	545	1235		1200
0406Ht-05.00	5 x GN 1/1	1600	510	1730	640	210	545	1635		1500
0406Ht-06.00	6 x GN 1/1	1920	510	2050	640	210	545	1955		