



COOKING TOP, DOUBLE

Model: CP-2

Article no: 1698070101

Power supply: 230V 1Ph ~50-60Hz

This hot plate is intended for countertop use, equipped with a thermostatic system which gives a fine and infinitely variable temperature selection.

It is supplied with a rolling rack, easy to use front mounted control knob with built-in pilot lamps.

MAIN FEATURES

- Simple function· Stepless power control·
- Overheating protection· White enameled· Equipped with a rolling rack

CP-2, 1698070101

08-09-22 (11:11)

TECHNICAL DATA

CP-2, 1698070101, 08-09-22 (11:11)

Model Number Specific	CP-2
Voltage (V)	230
Phase	1
Frequency (Hz)	50-60
Loading (kW)	2,2
IP Class	21
Width, net (mm)	485
Depth, net (mm)	275
Height, net (mm)	115
Weight, net (kg)	6
Weight, gross (kg)	7
Volume, net (m3)	0,013
Volume, gross (m3)	0,02
Connection Cable, lenght (m)	0,95
Product brand	Wiilfa
Installation, type	Table top model
Range, type	Cast Iron

Loipart AB (HQ), **Sweden**
Tel. +46 313 920 100, loipart@loipart.se

LMG Finland oy, **Finland**
+358 40 664 6680, lmg@lmg.fi



Loipart USA inc, **USA**
Tel. +1 954 530 5276, loipartusa@loipart.com

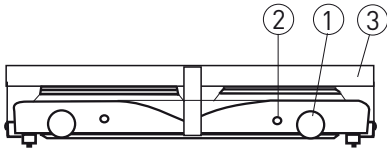
Loipart SEA Pte Ltd, **Singapore**
Tel. +65 674 99 100, contact@loipart.sg

Visit us at www.loipart.com

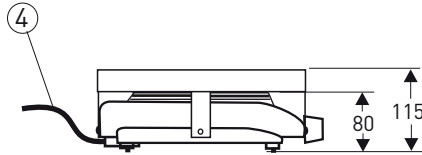
DIMENSIONS

Model: 169807 Rev. 1

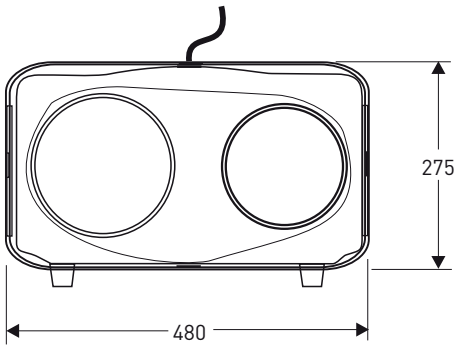
FRONT



SIDE



TOP



1. Control knob
2. Signal lamp
3. Rolling rack
4. Electrical cord with plug, L=0.95 m