



GRILL, 600MM

Model: CW-6 ETX

Article no: L15007

Power supply: 400V 3Ph ~50Hz

The chargrill is made of stainless steel and has raised edges on three sides to collect any spillage. The large model has two separately controlled heating zones. The grids are easily removable and the sides of the chargrill are smooth and easy to clean.

The chargrills can be positioned with the rear directly against a fireproof bulkhead. A stainless steel floor cabinet with adjustable legs, doors, and drawers is also available. The floor cabinet can be fitted with guide racks and grid shelves for Gastro-Norm 1/1.

MAIN FEATURES

- Stainless Steel
- Thermostat Controlled
- Hygienic Design
- Grilling area 580x470 mm

CW-6 ETX, L15007

27-09-22 (12:08)

Subject to change without notice
For correct installation, refer to the installation manual

TECHNICAL DATA

CW-6 ETX, L15007, 27-09-22 (12:08)

Model Number Specific	CW-6 ETX
Voltage (V)	400
Phase	3
Frequency (Hz)	50
Loading (kW)	7,2
IP Class	X5
Width, net (mm)	600
Depth, net (mm)	600
Height, net (mm)	305
Weight, net (kg)	56
Weight, gross (kg)	62
Volume, net (m3)	0,11
Volume, gross (m3)	0,14
Product brand	Lotus
Cooking surface, dimensions (mm)	580x470
Installation, type	Top model

Loipart AB (HQ), **Sweden**
Tel. +46 313 920 100, loipart@loipart.se

LMG Finland oy, **Finland**
+358 40 664 6680, lmg@lmg.fi



Loipart USA inc, **USA**
Tel. +1 954 530 5276, loipartusa@loipart.com

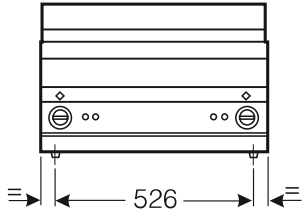
Loipart SEA Pte Ltd, **Singapore**
Tel. +65 674 99 100, contact@loipart.sg

Visit us at www.loipart.com

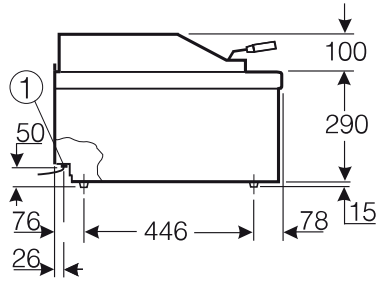
DIMENSIONS

Model: 169618 Rev. 1

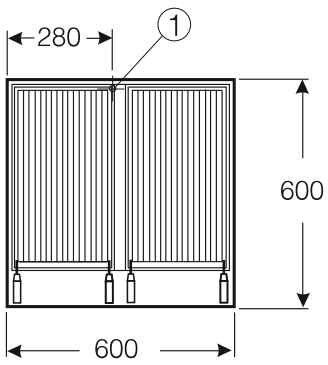
FRONT



SIDE



TOP



1. Electrical connection
(1.5 m cable included)