



## MEAT MINCER 300 KG/H

**Model: Saturno 22**

**Article no: LT4115**

**Power supply: 230V 1Ph ~60Hz**

Saturno 22 is a reliable meat mincer able to process meat efficiently, safely, and hygienically. A trustworthy and solid machine that won't let you down.

The mincer is made in a sturdy, seamless stainless steel body. It has a powerful continuous-use motor and a noiseless and waterproof oil bath helical gearbox.

The mincer comes with top quality stainless steel plate, knife hopper, and receiving tray.

### MAIN FEATURES

- Plate diameter is 82 mm
- Easy to clean
- Easy to remove the mincing group

Saturno 22, LT4115

17-01-24 (07:27)

Subject to change without notice  
For correct installation, refer to the installation manual

## TECHNICAL DATA

Saturno 22, LT4115, 17-01-24 (07:27)

<b>Model Number Specific</b>	Saturno 22
<b>Voltage (V)</b>	230
<b>Phase</b>	1
<b>Frequency (Hz)</b>	60
<b>Loading (kW)</b>	1,17
<b>IP Class</b>	33
<b>Capacity (kg/h)</b>	300
<b>Width, net (mm)</b>	410
<b>Depth, net (mm)</b>	210
<b>Height, net (mm)</b>	450
<b>Weight, net (kg)</b>	31
<b>Weight, gross (kg)</b>	35
<b>Connection Cable, length (m)</b>	2
<b>Plug type</b>	Schuko
<b>Certifications</b>	CE

## INCLUDED IN DELIVERY

Stainless steel mincing group, plate, knife hopper, and receiving tray.



Loipart AB (HQ), **Sweden**  
Tel. +46 313 920 100, loipart@loipart.se

LMG Finland oy, **Finland**  
+358 40 664 6680, lmg@lmg.fi



Loipart USA inc, **USA**  
Tel. +1 954 530 5276, loipartusa@loipart.com

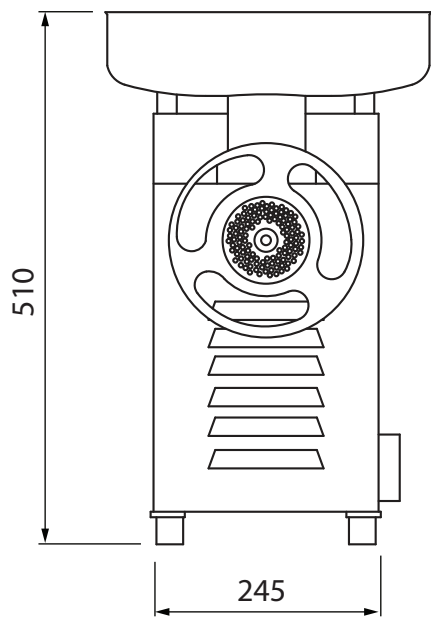
Loipart SEA Pte Ltd, **Singapore**  
Tel. +65 674 99 100, contact@loipart.sg

Visit us at [www.loipart.com](http://www.loipart.com)

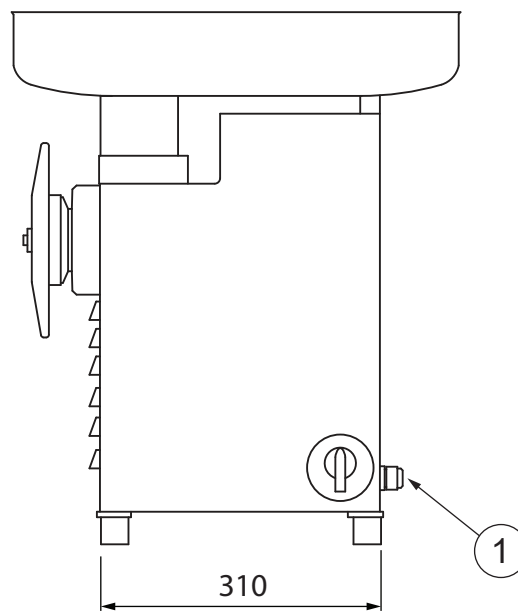
# DIMENSIONS

Model: Saturno 22 Rev. 2

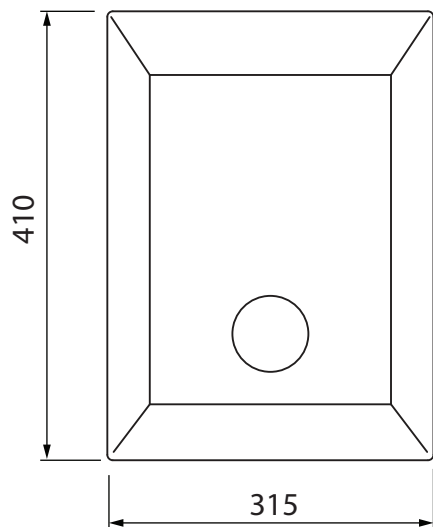
FRONT



SIDE



TOP



1. Electrical connection, 2 m cable and schuko plug included.