



REFRIGERATOR 55 L

Model: C600S-L

Article no: 9S0842

Power supply: 230V 1Ph ~50/60Hz

The C600SL is a cabin refrigerator intended for onboard use. It can be mounted freestanding or built-in with optional ventilation grills.

The model has a silent marine-type absorption cooling system and a practical interior.

The interior is equipped with two grid shelves. The door is provided with one shelf for small items and one bottom shelf intended for bottles.

The unit is provided with a reversible hinge type and delivered with a door for right or left-hand hanging. The refrigerator has black housing and door.

The refrigerator is delivered with a 1.5 m cord a standard earthed plug and easy-to-follow instructions.

MAIN FEATURES

- Absorption type cooling
- Silent and compact
- Spacious and practical interior
- For free-standing or built-in installation
- Automatic defrosting
- With or without a lockable door

C600S-L, 9S0842

12-02-24 (12:22)

TECHNICAL DATA

C600S-L, 9S0842, 12-02-24 (12:22)

Model Number Specific	C600S-L
Voltage (V)	230
Phase	1
Frequency (Hz)	50/60
Loading (kW)	0,1
IP Class	22
Width, net (mm)	485
Depth, net (mm)	530
Height, net (mm)	605
Weight, net (kg)	16
Weight, gross (kg)	20
Volume, net (m3)	0,13
Volume, gross (m3)	0,17
Connection Cable, length (m)	1,5
Plug type	Schuko
Door Hanging	Right (is reversible)
Door, type	Colored
Doors, qty (pcs)	1
Exterior	Colored
Installation, type	Table top model, Floor model
Locking device, included	Yes
Marine feet	No
Volume, refrigerator (L)	55

Loipart AB (HQ), **Sweden**
Tel. +46 313 920 100, loipart@loipart.se

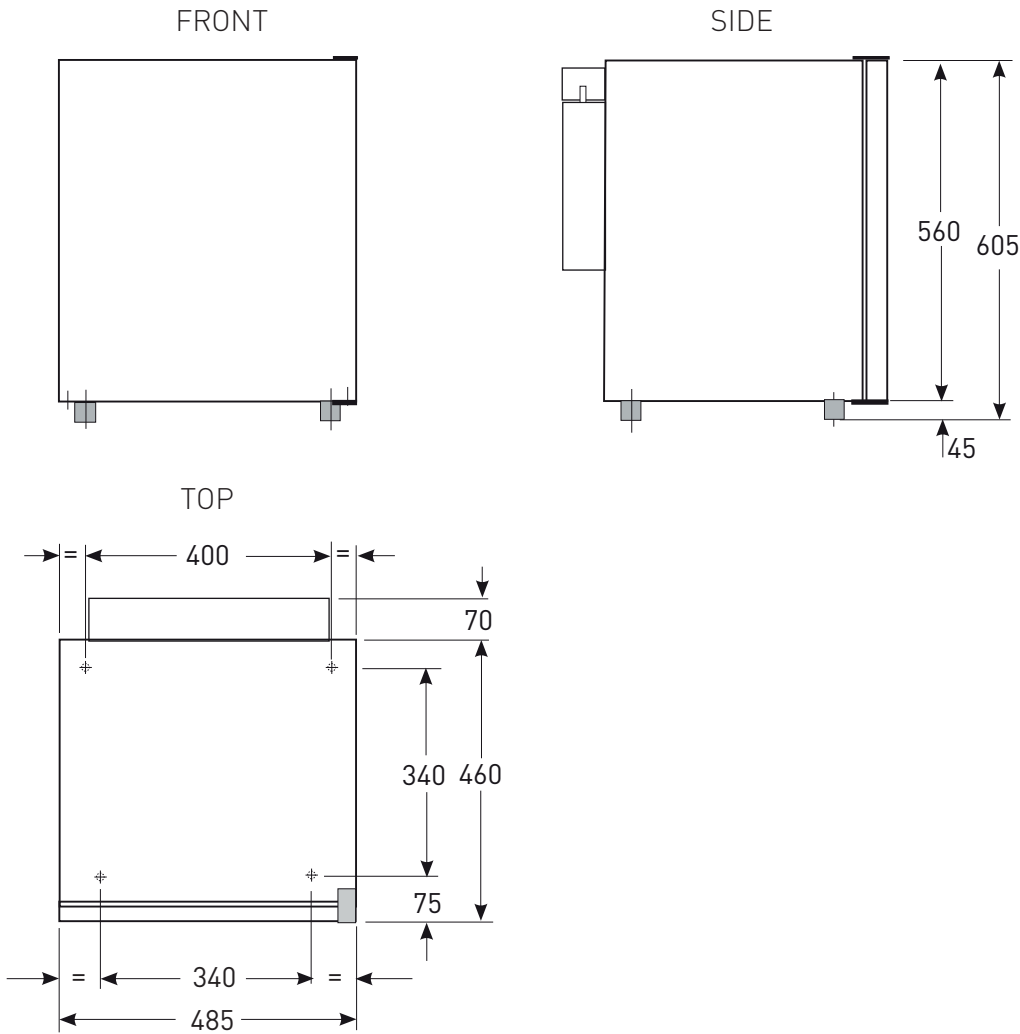
LMG Finland oy, **Finland**
+358 40 664 6680, lmg@lmg.fi



Loipart USA inc, **USA**
Tel. +1 954 530 5276, loipartusa@loipart.com

Loipart SEA Pte Ltd, **Singapore**
Tel. +65 674 99 100, contact@loipart.sg

Visit us at www.loipart.com



MARINE INSTALLATION

The refrigerator is delivered with a 1.5 m 3-wire electric cord and earthed plug. The plug is to be replaced if necessary to follow ships code.

Good air circulation is absolutely essential for a build-in refrigerator. The ventilation air passage above and under should be at least 300 cm² in crosssection.

